

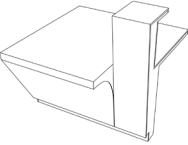
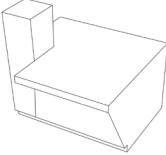
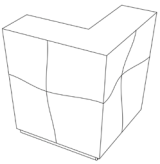
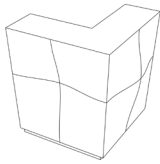
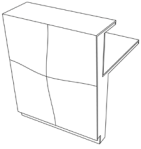
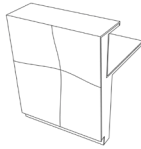


Below you can find an overview of all modules in the Warp design line incl. all measurements (L/B/H in mm and W in kg).

End Modules			
			
<b>WAP-LE-U</b> End Cap left Upstand	<b>WAP-RE-U</b> End Cap right Upstand	<b>WAP-LE-D</b> End Module left Desk - Upstand	<b>WAP-RE-D</b> End Module right Upstand - Desk
L/B/H/W: 33/350/1150/12	L/B/H/W: 33/350/1150/12	L/B/H/W: 1200/1250/1150/125	L/B/H/W: 1200/1250/1150/125

Corner Modules	
	
<b>WAP-C90-U-BDE</b> 90° Corner Upstand	<b>WAP-C90-U-DEB</b> 90° Corner Upstand
L/B/H/W: 980/1022/1150/117	L/B/H/W: 1022/980/1150/117

Straight Modules	
	
<b>WAP-S-U-B</b> Bulg Upstand	<b>WAP-S-U-DE</b> Deep Upstand
L/B/H/W: 900/1022/1150/76	L/B/H/W: 900/980/1150/74

Each reception counter has a standard colour or colour combination. You can adjust the counter to your needs and wishes with our colours, decors and additional options. Custom planned configurations are possible on request.

## 1. Colours + Decors

### Price Group 1 - White

Corpus

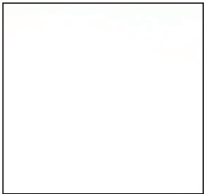


**Solid Surface Material**  
Orchid White

### Price Group 2 - Metallic synergy3D inlays

Corpus

Inlays



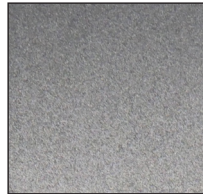
**Solid Surface Material**  
Orchid White



**synergy3D**  
Brass



**synergy3D**  
Copper



**synergy3D**  
Smoke

## 2. Further Options

Base Lighting



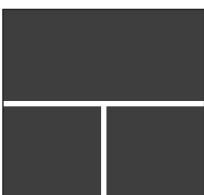
**warm white**



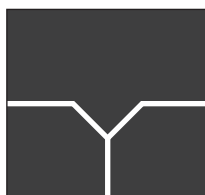
**cold white**

### Joint Options

will be specified in the technical release process



**jointless**



**design joint bevel**  
2 x 2 mm

# Warp Configuration Examples

Get an impression of the endless possibilities of combining the modules incl. all measurements (L/B/H in mm and W in kg).

Example A	Example B	Example C
<b>modules used:</b> WAP-LE-U WAP-C90-U-DEB WAP-C90-U-DEB WAP-RE-U	<b>modules used:</b> WAP-LE-U WAP-S-U-B WAP-S-U-DE WAP-RE-D	<b>modules used:</b> WAP-LE-U WAP-C90-U-BDE WAP-S-U-B WAP-S-U-DE WAP-RE-D
L/B/H/W: 2002/1055/1150/258	L/B/H/W: 3033/1250/1150/285	L/B/H/W: 4022/1283/1150/404

Example D	Example E	Example F
<b>modules used:</b> WAP-LE-D WAP-S-U-B WAP-S-U-DE WAP-C90-U-BDE WAP-RE-U	<b>modules used:</b> WAP-LE-U WAP-C90-U-BDE WAP-S-U-B WAP-C90-U-DEB WAP-RE-D	<b>modules used:</b> WAP-LE-U WAP-C90-U-BDE WAP-S-U-B WAP-S-U-DE WAP-C90-U-BDE WAP-RE-U
L/B/H/W: 3980/1283/1150/404	L/B/H/W: 3172/2222/1150/447	L/B/H/W: 3802/1055/1150/481

Example G	Example H	Example I
<b>modules used:</b> WAP-LE-U WAP-C90-U-DEB WAP-S-U-DE WAP-S-U-B WAP-S-U-DE WAP-C90-U-BDE WAP-RE-U	<b>modules used:</b> WAP-LE-U WAP-C90-U-DEB WAP-S-U-DE WAP-S-U-B WAP-S-U-DE WAP-S-U-B WAP-S-U-DE	<b>modules used:</b> WAP-LE-U WAP-S-U-DE WAP-S-U-B WAP-C90-U-DEB WAP-S-U-DE WAP-S-U-B WAP-S-U-DE
L/B/H/W: 4660/1055/1150/482	L/B/H/W: 6730/2222/1150/743	L/B/H/W: 4744/3802/1150/899

The following sectional drawings give you an overview of all relevant measurements.

