

Below you can find an overview of all modules in the Prisma design line incl. all measurements (L/B/H in mm and W in kg).

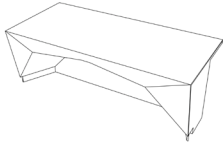
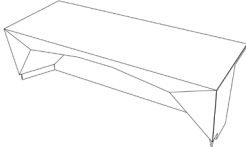
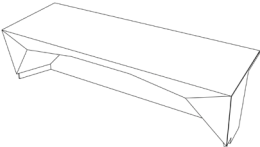
End Modules				
PRI-LE-U-SM End Module left Upstand	PRI-RE-U-SM End Module right Upstand	PRI-LE-U End Module left Upstand	PRI-RE-U End Module right Upstand	PRI-LE-D End Module left Desk
L/B/H/W: 1100/1050/1150/124	L/B/H/W: 1100/1050/1150/124	L/B/H/W: 1118/1050/1150/134	L/B/H/W: 1118/1050/1150/134	L/B/H/W: 1118/1048/735/87

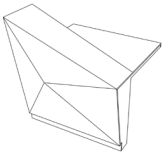
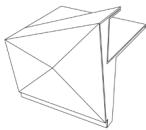
PRI-RE-D End Module right Desk	PRI-LC Cantilever left	PRI-RC Canitlever right
L/B/H/W: 1118/1048/735/87	L/B/H/W: 1035/1012/735/83	L/B/H/W: 1035/1012/735/83

Corner Modules			
PRI-C90-U 90° Corner Upstand	PRI-C45-U 45° Corner Upstand	PRI-C90-D 90° Corner Desk	PRI-C45-D 45° Corner Desk
L/B/H/W: 1050/1122/1150/115	L/B/H/W: 1793/1557/1150/161	L/B/H/W: 1048/1031/735/81	L/B/H/W: 1738/1466/735/110

Straight Modules				
PRI-S-U-A Upstand	PRI-S-U-B Upstand	PRI-S-D-A Desk	PRI-S-D-B Desk	PRI-S-U-3000 Upstand
L/B/H/W: 1000/1089/1150/88	L/B/H/W: 1000/1050/1150/88	L/B/H/W: 1000/1032/735/62	L/B/H/W: 1000/1007/735/62	L/B/H/W: 3000/1075/1150/259

Below you can find an overview of all modules in the Prisma design line incl. all measurements (L/B/H in mm and W in kg).

Accessible Modules		
		
PRI-UP-2100 Desk	PRI-UP-2400 Desk	PRI-UP-2700 Desk
L/B/H/W: 2138/1016/735/167	L/B/H/W: 2438/1016/735/187	L/B/H/W: 2738/1016/735/207

Transition Modules	
	
PRI-LU Upstand left	PRI-RU Upstand right
L/B/H/W: 1000/1089/1150/79	L/B/H/W: 1000/1089/1150/79

Each reception counter has a standard colour or colour combination. You can adjust the counter to your needs and wishes with our colours, decors and additional options. Custom planned configurations are possible on request.

1. Colours + Decors

Price Group 1 - White

Corpus

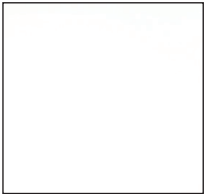


Solid Surface Material
Orchid White

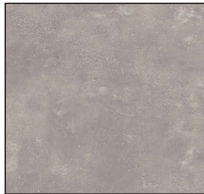
Price Group 2 - Neolith inlays in front and countertop

Corpus

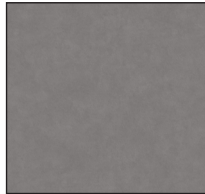
Inlay



Solid Surface Material
Orchid White



Neolith
New York - New York



Neolith
Pietra di Piombo



Neolith
Iron Grey

2. Further Options

Base Lighting



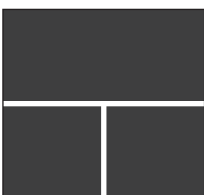
warm white



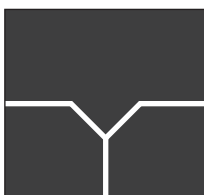
cold white

Joint Options

will be specified in the technical release process



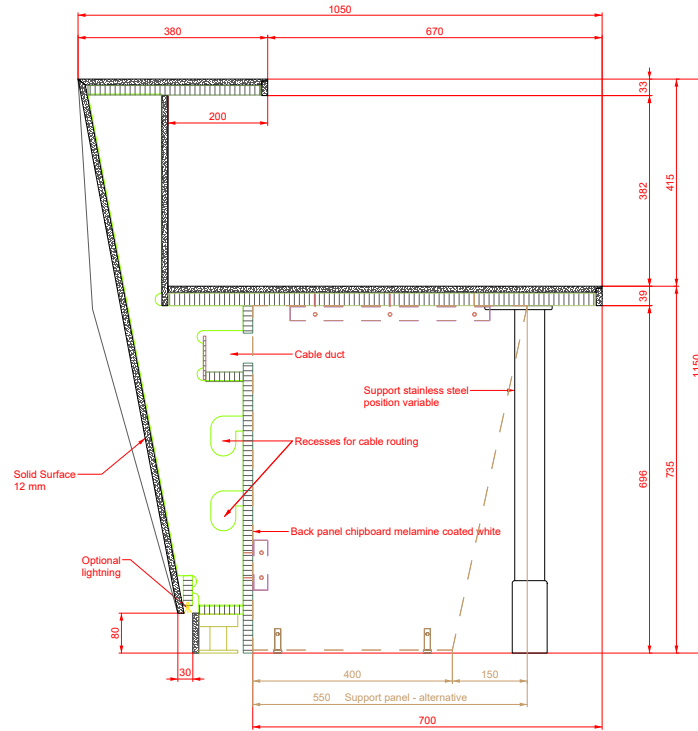
jointless



design joint bevel
2 x 2 mm

The following sectional drawings give you an overview of all relevant measurements.

Upstand Modules



Desk Modules

