

# Mountain Module Overview

Below you can find an overview of all modules in the Mountain design line incl. all measurements (L/B/H in mm and W in kg).

End Modules			
<b>MTA-LE-P</b> End Module left Front Neolith Upstand	<b>MTA-RE-P</b> End Module right Front Neolith Upstand	<b>MTA-LE-V</b> End Module left Front white Upstand	<b>MTA-RE-V</b> End Module right Front white Upstand
L/B/H/W: 300/940/1150/52	L/B/H/W: 300/940/1150/52	L/B/H/W: 300/940/1150/49	L/B/H/W: 300/940/1150/49

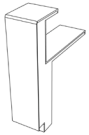
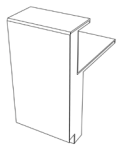
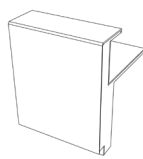
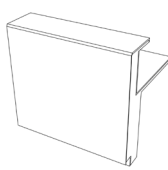
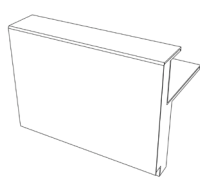
Corner Modules	
<b>MTA-C90-P</b> 90° Corner Upstand	<b>MTA-C90-V</b> 90° Corner Upstand
L/B/H/W: 990/990/1150/121	L/B/H/W: 990/990/1150/114

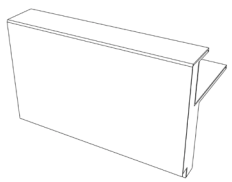
Straight Modules				
<b>MTA-S-900-LP</b> Upstand	<b>MTA-S-900-RP</b> Upstand	<b>MTA-S-1800-LP</b> Upstand	<b>MTA-S-1800-RP</b> Upstand	<b>MTA-S-300-P</b> Front Neolith Upstand
L/B/H/W: 900/990/1150/79	L/B/H/W: 900/990/1150/79	L/B/H/W: 1800/990/1150/152	L/B/H/W: 1800/990/1150/152	L/B/H/W: 300/940/1150/28

<b>MTA-S-600-P</b> Front Neolith Upstand	<b>MTA-S-900-P</b> Front Neolith Upstand	<b>MTA-S-1200-P</b> Front Neolith Upstand	<b>MTA-S-1500-P</b> Front Neolith Upstand	<b>MTA-S-1800-P</b> Front Neolith Upstand
L/B/H/W: 600/940/1150/54	L/B/H/W: 900/940/1150/81	L/B/H/W: 1200/940/1150/107	L/B/H/W: 1500/940/1150/134	L/B/H/W: 1800/940/1150/160

# Mountain Module Overview

Below you can find an overview of all modules in the Mountain design line incl. all measurements (L/B/H in mm and W in kg).

Straight Modules				
				
<b>MTA-S-300-V</b> Front white Upstand	<b>MTA-S-600-V</b> Front white Upstand	<b>MTA-S-900-V</b> Front white Upstand	<b>MTA-S-1200-V</b> Front white Upstand	<b>MTA-S-1500-V</b> Front white Upstand
L/B/H/W: 300/940/1150/24	L/B/H/W: 600/940/1150/45	L/B/H/W: 900/940/1150/68	L/B/H/W: 1200/940/1150/88	L/B/H/W: 1500/940/1150/111

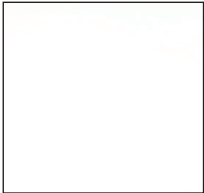

<b>MTA-S-1800-V</b> Front white Upstand
L/B/H/W: 1800/940/1150/132

Each reception counter has a standard colour or colour combination. You can adjust the counter to your needs and wishes with our colours, decors and additional options. Custom planned configurations are possible on request.

## 1. Colours + Decors

### Price Group 1 - Choose the Neolith decor for the front

Corpus

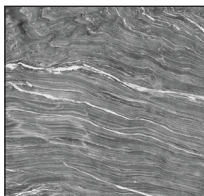


**Solid Surface Material**  
Orchid White

Front



**Neolith**  
New York - New York



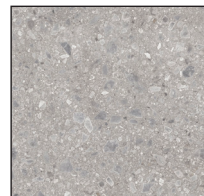
**Neolith**  
Mar del Plata



**Neolith**  
Strata Argentum



**Neolith**  
Amazonico



**Neolith**  
Terrazo Ceppo

## 2. Further Options

Logo



**made of Solid Surface Material**  
applied onto the front

Base Lighting



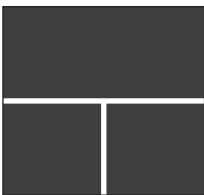
**warm white**



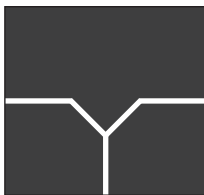
**cold white**

### Joint Options

will be specified in the technical release process



**jointless**



**design joint bevel**  
2 x 2 mm

# Mountain Configuration Examples

Get an impression of the endless possibilities of combining the modules incl. all measurements (L/B/H in mm and W in kg).

Example A	Example B	Example C
<b>modules used:</b> MTA-LE-P MTA-C90-V MTA-C90-V MTA-RE-P	<b>modules used:</b> MTA-LE-P MTA-S-1800-LP MTA-RE-V	<b>modules used:</b> MTA-LE-P MTA-C90-V MTA-S-1800-LP MTA-C90-P MTA-RE-V
L/B/H/W: 1980/1290/1150/332	L/B/H/W: 2400/990/1150/268	L/B/H/W: 3780/1290/1150/493

Example D	Example E	Example F
<b>modules used:</b> MTA-LE-P MTA-S-900-LP MTA-C90-P MTA-S-900-RP MTA-RE-P	<b>modules used:</b> MTA-LE-P MTA-S-1800-LP MTA-S-600-V MTA-C90-P MTA-S-900-RP MTA-RE-P	<b>modules used:</b> MTA-LE-P MTA-S-1800-LP MTA-S-900-V MTA-S-1800-RP MTA-RE-P
L/B/H/W: 2190/2190/1150/383	L/B/H/W: 3690/2190/1150/501	L/B/H/W: 5100/990/1150/476

Example G	Example H	Example I
<b>modules used:</b> MTA-LE-V MTA-S-1800-RP MTA-S-900-LP MTA-S-900-RP MTA-S-1800-LP MTA-RE-V	<b>modules used:</b> MTA-LE-P MTA-C90-V MTA-S-1800-LP MTA-S-900-RP MTA-S-1800-LP MTA-C90-P MTA-S-1800-RP MTA-RE-P	<b>modules used:</b> MTA-LE-P MTA-S-1800-LP MTA-S-900-RP MTA-C90-V MTA-S-900-LP MTA-S-1800-RP MTA-C90-V MTA-S-1800-LP MTA-S-900-RP MTA-C90-V MTA-S-900-LP MTA-RE-V
L/B/H/W: 6000/990/1150/560	L/B/H/W: 6480/3090/1150/874	L/B/H/W: 4680/4680/1150/1215

The following sectional drawings give you an overview of all relevant measurements.

## Upstand Modules

