

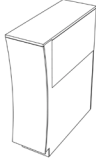
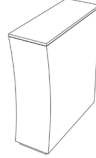
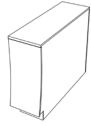
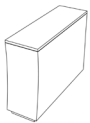
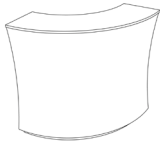





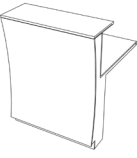
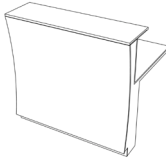
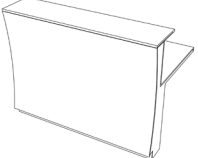
# Concave Module Overview

Below you can find an overview of all modules in the Concave design line incl. all measurements (L/B/H in mm and W in kg).

End Modules				
				
<b>CON-LE-U-SM</b> End Cap left Upstand	<b>CON-RE-U-SM</b> End Cap right Upstand	<b>CON-LE</b> End Module left Upstand	<b>CON-RE</b> End Module right Upstand	<b>CON-LE-D</b> End Module left Desk
L/B/H/W: 30/350/1150/11	L/B/H/W: 30/350/1150/11	L/B/H/W: 350/950/1150/73	L/B/H/W: 350/950/1150/73	L/B/H/W: 300/950/735/44

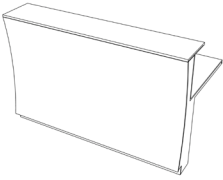
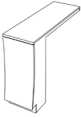
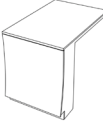
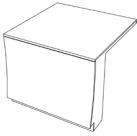
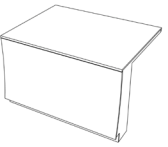

<b>CON-RE-D</b> End Module right Desk
L/B/H/W: 300/950/735/44

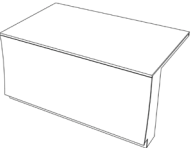
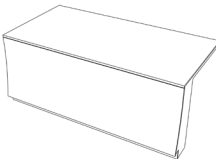
Corner Modules	
	
<b>CON-C90-U</b> 90° Corner Upstand	<b>CON-C45-U</b> 45° Corner Upstand
L/B/H/W: 950/950/1150/89	L/B/H/W: 672/950/1150/37

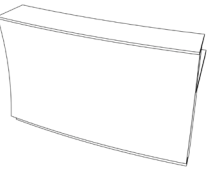

Straight Modules				
				
<b>CON-S-U-300</b> Front curved Upstand	<b>CON-S-U-600</b> Front curved Upstand	<b>CON-S-U-900</b> Front curved Upstand	<b>CON-S-U-1200</b> Front curved Upstand	<b>CON-S-U-1500</b> Front curved Upstand
L/B/H/W: 300/950/1150/26	L/B/H/W: 600/950/1150/49	L/B/H/W: 900/950/1150/74	L/B/H/W: 1200/950/1150/97	L/B/H/W: 1500/950/1150/123

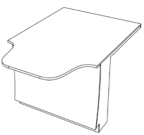
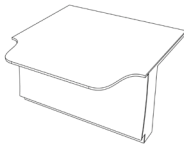
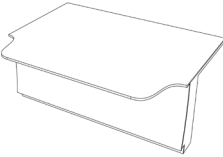
# Concave Module Overview

Below you can find an overview of all modules in the Concave design line incl. all measurements (L/B/H in mm and W in kg).

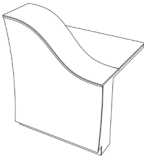
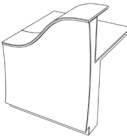
Straight Modules				
				
<b>CON-S-U-1800</b> Front curved Upstand	<b>CON-S-D-300</b> Front curved Desk	<b>CON-S-D-600</b> Front curved Desk	<b>CON-S-D-900</b> Front curved Desk	<b>CON-S-D-1200</b> Front curved Desk
L/B/H/W: 1800/950/1150/146	L/B/H/W: 300/950/735/19	L/B/H/W: 600/950/735/35	L/B/H/W: 900/950/735/53	L/B/H/W: 1200/950/735/70

	
<b>CON-S-D-1500</b> Front curved Desk	<b>CON-S-D-1800</b> Front curved Desk
L/B/H/W: 1500/950/735/89	L/B/H/W: 1800/950/735/105

Curved Modules	
	
<b>CON-C-U-1800</b> Front and module curved Upstand	<b>CON-C-U-900</b> Front and module curved Upstand
L/B/H/W: 1800/1127/1150/143	L/B/H/W: 906/995/1150/72

Accessible Modules		
		
<b>CON-UP-900</b> Desk	<b>CON-UP-1350</b> Desk	<b>CON-UP-1800</b> Desk
L/B/H/W: 900/1300/735/59	L/B/H/W: 1350/1300/735/90	L/B/H/W: 1800/1300/735/120

Below you can find an overview of all modules in the Concave design line incl. all measurements (L/B/H in mm and W in kg).

Transition Modules	
	
<b>CON-LU-D</b> Upstand left - Desk	<b>CON-RU-D</b> Desk - Upstand right
L/B/H/W: 900/950/1150/66	L/B/H/W: 900/950/1150/66

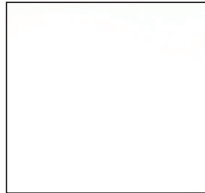
Each reception counter has a standard colour or colour combination. You can adjust the counter to your needs and wishes with our colours, decors and additional options. Custom planned configurations are possible on request.

## 1. Colours + Decors

### Price Group 1 - White

Corpus

Countertop



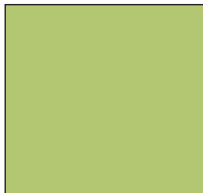
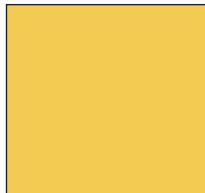
**Solid Surface Material**  
Orchid White

**Solid Surface Material**  
Orchid White

### Price Group 2 - Countertop + plinth made from coloured Solid Surface Material

Corpus

Countertop + Plinth



**Solid Surface Material**  
Orchid White

**Solid Surface Material**  
Sunshine Yellow

**Solid Surface Material**  
Lime Green

## 2. Further Options

Logo

Base Lighting



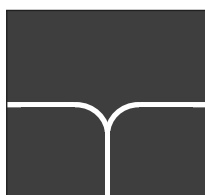
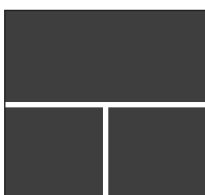
**milled into rear**  
backlit

**warm white**

**cold white**

### Joint Options

will be specified in the technical release process


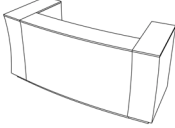
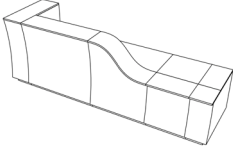
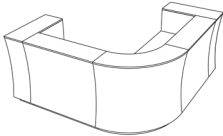
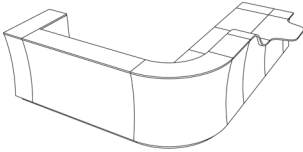
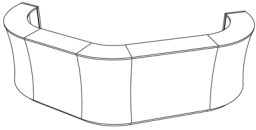
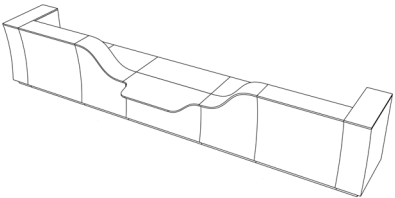
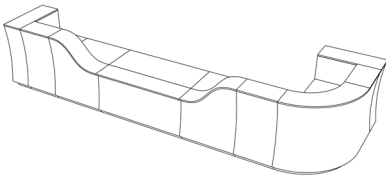
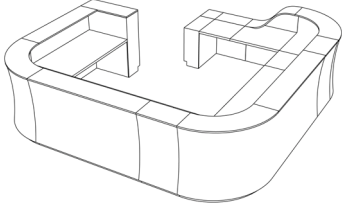


**jointless**

**design joint radius**  
3 mm

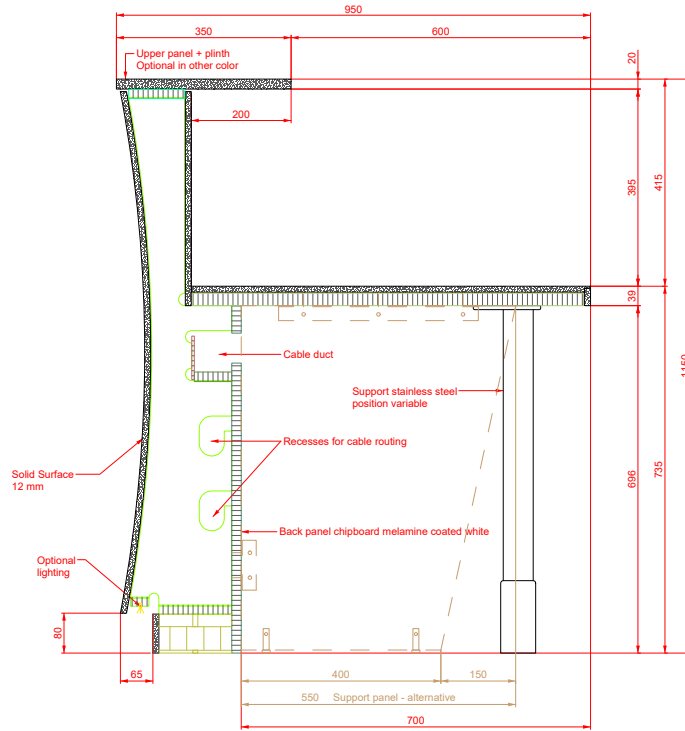
# Concave Configuration Examples

Get an impression of the endless possibilities of combining the modules incl. all measurements (L/B/H in mm and W in kg).

<p><b>Example A</b></p> 	<p><b>Example B</b></p> 	<p><b>Example C</b></p> 
<p><b>modules used:</b> CON-LE-U-SM CON-C90-U CON-C90-U CON-RE-U-SM</p>	<p><b>modules used:</b> CON-LE CON-C-U-1800 CON-RE</p>	<p><b>modules used:</b> CON-LE CON-S-U-1200 CON-LU-D CON-S-D-600 CON-RE-D</p>
<p>L/B/H/W: 1900/978/1150/200</p>	<p>L/B/H/W: 2507/1039/1150/289</p>	<p>L/B/H/W: 3350/950/1150/315</p>
<p><b>Example D</b></p> 	<p><b>Example E</b></p> 	<p><b>Example F</b></p> 
<p><b>modules used:</b> CON-LE CON-S-U-1200 CON-C90-U CON-S-U-1200 CON-RE</p>	<p><b>modules used:</b> CON-LE CON-S-U-1800 CON-C90-U CON-S-U-600 CON-LU-D CON-UP900 CON-RE-D</p>	<p><b>modules used:</b> CON-LE-U-SM CON-C90-U CON-S-U-900 CON-C45-U CON-S-U-900 CON-C90-U CON-RE-U-SM</p>
<p>L/B/H/W: 2500/2500/1150/429</p>	<p>L/B/H/W: 3100/3650/1150/526</p>	<p>L/B/H/W: 3649/2492/1150/408</p>
<p><b>Example G</b></p> 	<p><b>Example H</b></p> 	<p><b>Example I</b></p> 
<p><b>modules used:</b> CON-LE CON-S-U-1200 CON-LU-D CON-UP-1350 CON-RU-D CON-S-U-1200</p> <p>CON-RE</p>	<p><b>modules used:</b> CON-LE CON-S-U-600 CON-LU-D CON-S-D-1500 CON-RU-D CON-S-U-600</p> <p>CON-C90-U CON-S-U-600 CON-RE</p>	<p><b>modules used:</b> CON-LE CON-S-U-1500 CON-C90-U CON-S-U-1800 CON-S-U-600 CON-C90-U</p> <p>CON-S-U-1800 CON-S-U-600 CON-S-D-600 CON-RE-D</p>
<p>L/B/H/W: 6250/1300/1150/562</p>	<p>L/B/H/W: 5800/1900/1150/603</p>	<p>L/B/H/W: 4300/4300/1150/998</p>

The following sectional drawings give you an overview of all relevant measurements.

## Upstand Modules



## Desk Modules

