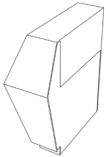
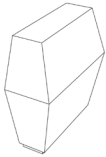


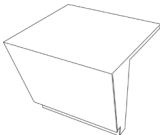
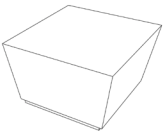
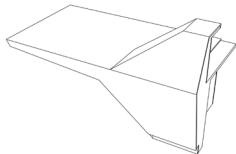
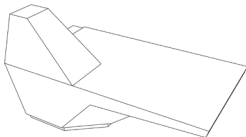
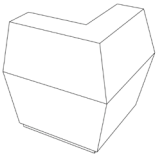
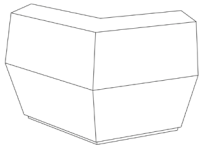
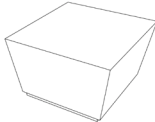
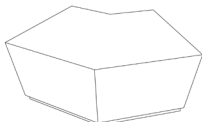



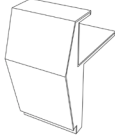
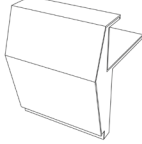
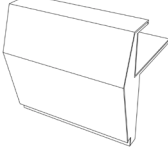
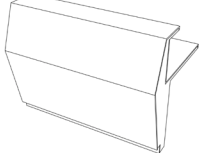
Carve Module Overview

Below you can find an overview of all modules in the Concave design line incl. all measurements (L/B/H in mm and W in kg).

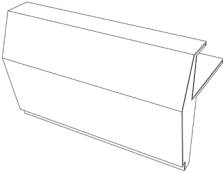
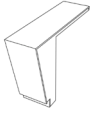
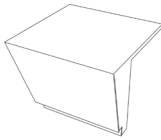
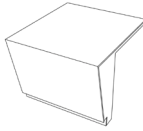
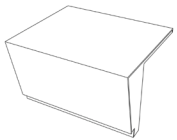
End Modules				
				
CAR-LE-U-P End Module left, polygonal Upstand	CAR-RE-U-P End Module right, polygonal Upstand	CAR-LE-U-ST End Module left, straight Upstand	CAR-RE-U-ST End Module right, straight Upstand	CAR-LE-D End Module left Desk
L/B/H/W: 470/1020/1150/68	L/B/H/W: 470/1020/1150/68	L/B/H/W: 320/1020/1150/62	L/B/H/W: 320/1020/115/62	L/B/H/W: 1020/1020/735/87

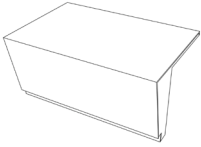
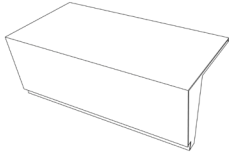
		
CAR-RE-D End Module right Desk	CAR-LC Cantilever left	CAR-RC Cantilever right
L/B/H/W: 1020/1020/735/87	L/B/H/W: 1888/1020/1150/164	L/B/H/W: 1888/1020/1150/164

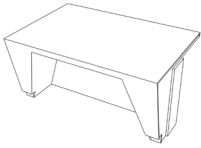
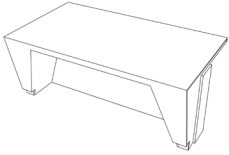
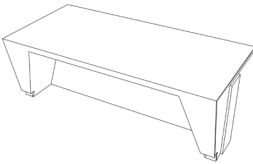
Corner Modules			
			
CAR-C90-U 90° Corner Upstand	CAR-C45-U 45° Corner Upstand	CAR-C90-D 90° Corner Desk	CAR-C45-D 45° Corner Desk
L/B/H/W: 1020/1020/1150/113	L/B/H/W: 1537/1358/1150/127	L/B/H/W: 1020/1020/735/83	L/B/H/W: 1537/1358/735/96

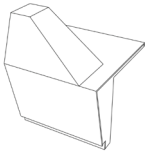
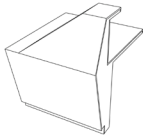
Straight Modules				
				
CAR-S-U-300 Upstand	CAR-S-U-600 Upstand	CAR-S-U-900 Upstand	CAR-S-U-1200 Upstand	CAR-S-U-1500 Upstand
L/B/H/W: 300/1020/1150/27	L/B/H/W: 600/1020/1150/42	L/B/H/W: 900/1020/1150/74	L/B/H/W: 1200/1020/1150/97	L/B/H/W: 1500/1020/1150/122

Below you can find an overview of all modules in the Concave design line incl. all measurements (L/B/H in mm and W in kg).

Straight Modules				
				
CAR-S-U-1800 Upstand	CAR-S-D-300 Desk	CAR-S-D-600 Desk	CAR-S-D-900 Desk	CAR-S-D-1200 Desk
L/B/H/W: 1800/1020/1150/146	L/B/H/W: 300/1020/735/20	L/B/H/W: 600/1020/735/38	L/B/H/W: 900/1020/735/57	L/B/H/W: 1200/1020/735/75

	
CAR-S-D-1500 Desk	CAR-S-D-1800 Desk
L/B/H/W: 1500/1020/735/94	L/B/H/W: 1800/1020/735/113

Accessible Modules		
		
CAR-UP-1500 Desk	CAR-UP-1800 Desk	CAR-UP-2100 Desk
L/B/H/W: 1538/1020/735/121	L/B/H/W: 1838/1020/735/141	L/B/H/W: 2138/1020/735/160

Transition Modules	
	
CAR-LU Upstand left - Desk	CAR-RU Desk - Upstand right
L/B/H/W: 900/1020/1150/72	L/B/H/W: 900/1020/1150/72

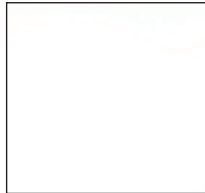
Each reception counter has a standard colour or colour combination. You can adjust the counter to your needs and wishes with our colours, decors and additional options. Custom planned configurations are possible on request.

1. Colours + Decors

Price Group 1 - White

Corpus

Countertop



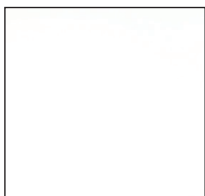
Solid Surface Material
Orchid White

Solid Surface Material
Orchid White

Price Group 2 - Choose material for the countertop

Corpus

Countertop



Solid Surface Material
Orchid White

UPB Board
Natural

UPB Board
Aged Wood

UPB Board
Chestnut

2. Further Options

Logo

Base Lighting



milled into rear
backlit

made of Solid Surface
Material
applied onto the front

warm white

cold white

Joint Options

will be specified in the technical release process

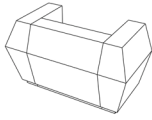
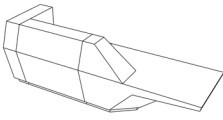
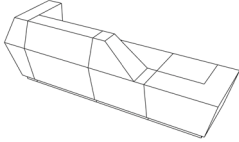
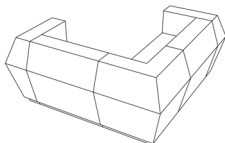
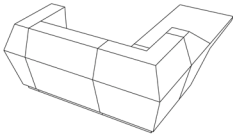
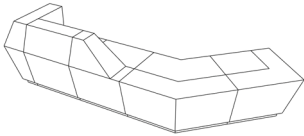
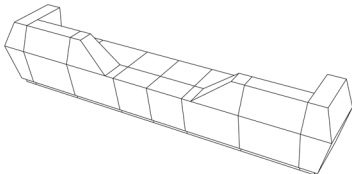
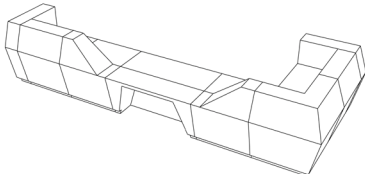
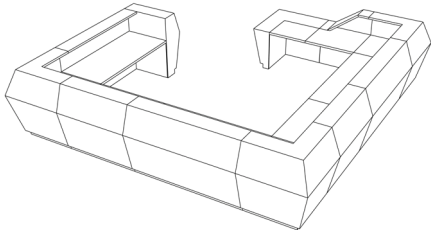


jointless

design joint bevel
2 x 2 mm

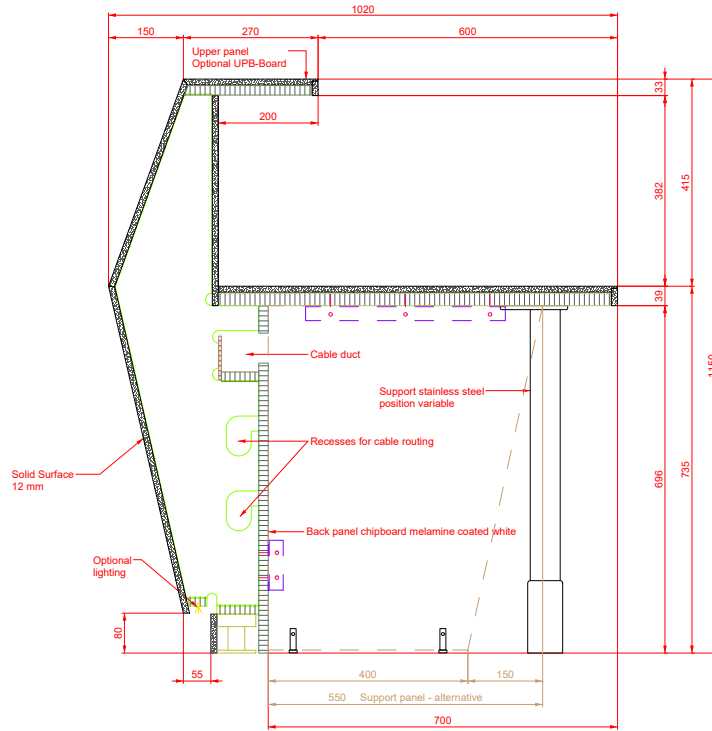
Carve Configuration Examples

Get an impression of the endless possibilities of combining the modules incl. all measurements (L/B/H in mm and W in kg).

<p>Example A</p> 	<p>Example B</p> 	<p>Example C</p> 
<p>modules used: CAR-LE-U-P CAR-S-U-1200 CAR-RE-U-P</p>	<p>modules used: CAR-LE-U-ST CAR-S-U-1200 CAR-RC</p>	<p>modules used: CAR-LE-U-P CAR-S-U-1200 CAR-LU CAR-RE-D</p>
<p>L/B/H/W: 2040/1020/1150/233</p>	<p>L/B/H/W: 3358/1020/1150/323</p>	<p>L/B/H/W: 3540/1020/1150/324</p>
<p>Example D</p> 	<p>Example E</p> 	<p>Example F</p> 
<p>modules used: CAR-LE-U-P CAR-S-U-1200 CAR-C90-U CAR-S-U-1200 CAR-RE-U-P</p>	<p>modules used: CAR-LE-U-P CAR-S-U-1200 CAR-C90-U CAR-RC</p>	<p>modules used: CAR-LE-U-P CAR-S-U-900 CAR-LU CAR-C45-D CAR-RE-D</p>
<p>L/B/H/W: 2640/2640/1150/443</p>	<p>L/B/H/W: 2640/2908/1150/442</p>	<p>L/B/H/W: 4478/2079/1150/397</p>
<p>Example G</p> 	<p>Example H</p> 	<p>Example I</p> 
<p>modules used: CAR-LE-U-P CAR-S-U-900 CAR-LU CAR-S-D-600 CAR-S-D-600 CAR-RU CAR-S-U-900 CAR-RE-U-P</p>	<p>modules used: CAR-LE-U-ST CAR-S-U-900 CAR-LU CAR-UP-1500 CAR-RU CAR-C90-U CAR-S-U-900 CAR-RE-U-ST</p>	<p>modules used: CAR-LE-U-P CAR-S-U-1800 CAR-C90-U CAR-S-U-1200 CAR-S-U-1800 CAR-C90-U CAR-S-U-1200 CAR-S-U-1800 CAR-C90-U CAR-S-U-1200 CAR-S-U-1800 CAR-C90-U</p> <p>CAR-S-U-1200 CAR-S-U-1800 CAR-C90-U CAR-LU CAR-RE-D</p>
<p>L/B/H/W: 5640/1020/1150/504</p>	<p>L/B/H/W: 5490/2190/1150/630</p>	<p>L/B/H/W: 5040/5040/1150/1108</p>

The following sectional drawings give you an overview of all relevant measurements.

Upstand Modules



Desk Modules

